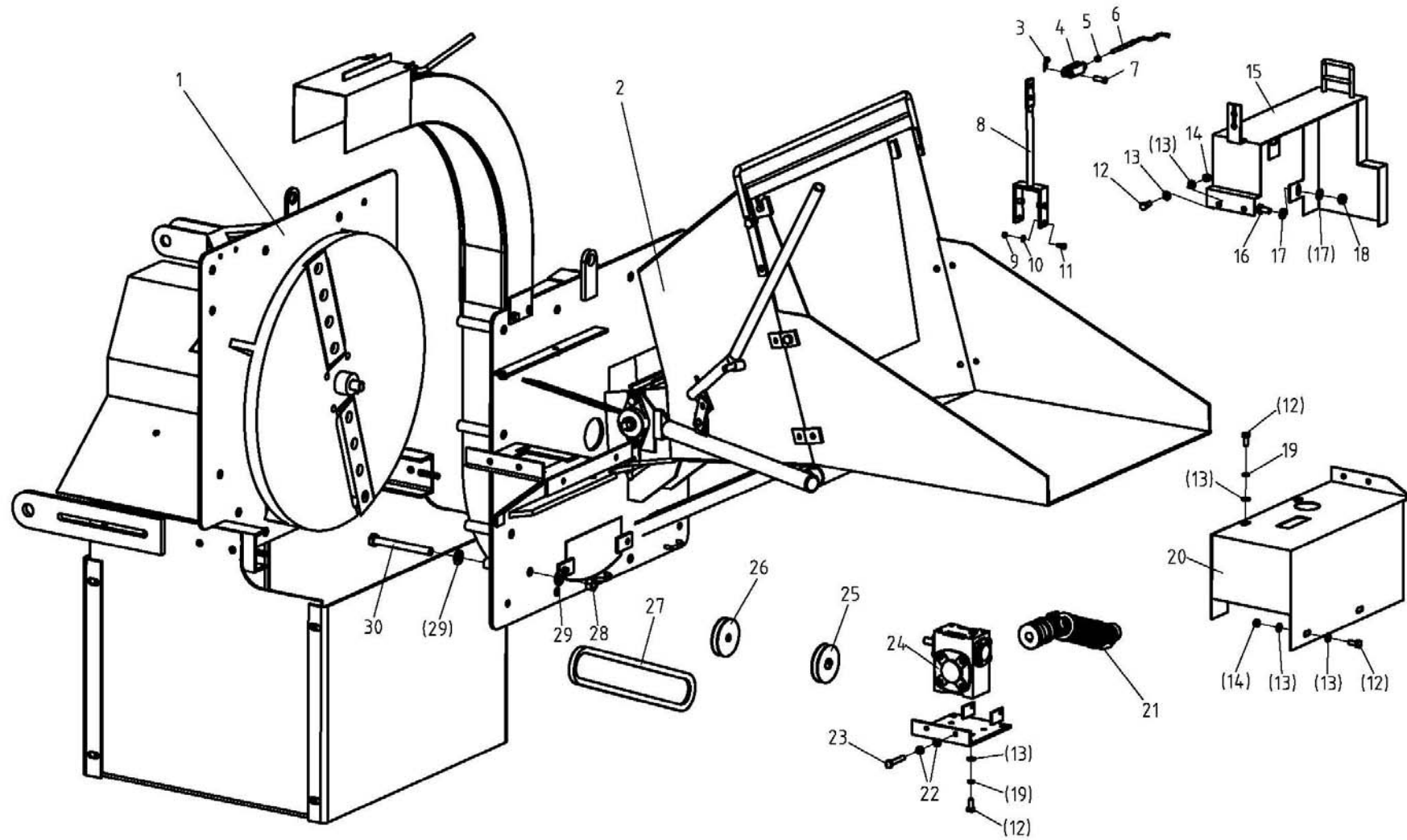


# Wood Chipper Assembly



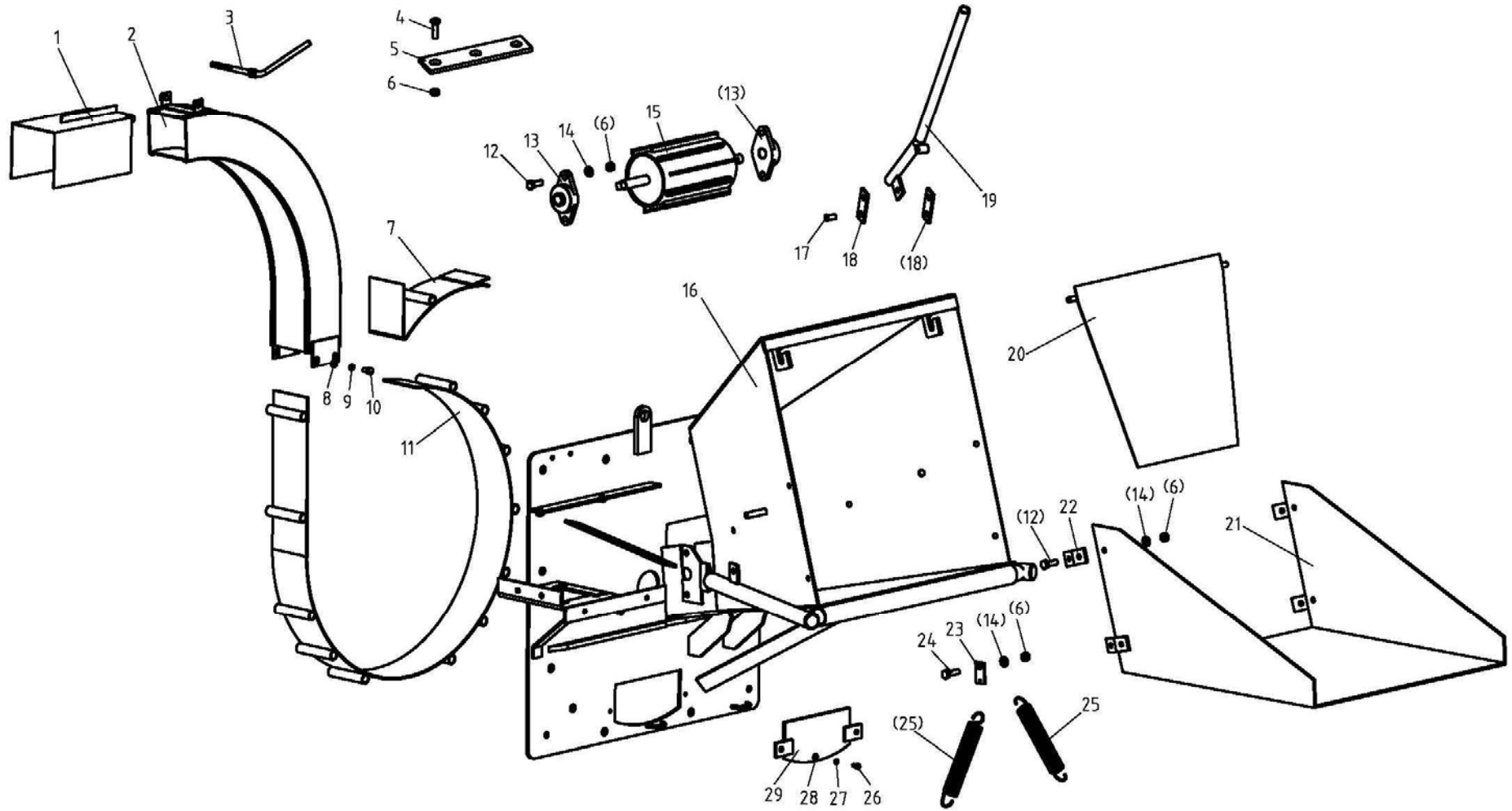
## Wood Chipper Assembly

NO.	Part NO.	Name & Specifications	Quantity	Remark
1	24PMF.02.001	Drive System Assembly	1	
2	24PMF.01.001	Charging and Bracket Assembly	1	
3		R pin	1	
4	24PMF.03.112	Joint	1	
5	GB6170-86	Nut M6	1	
6	24PMF.03.141	Locking line	1	
7	24PMF.03.101	Pin shaft	1	
8	24PMF.03.011	Release handle	1	
9	GB 889-86	Locking nut M6	2	
10	GB97.1-85	Plain washer 6	2	
11	GB 5783-86	Blot M6x16	2	
12	GB5783-86	Blot M8x20	10	
13	GB97.1-85	Plain washer 8	14	
14	GB889-86	Locking nut M8	4	
15	24PMF.03.015	Roller case	1	
16	GB5783-86	Blot M10x20	2	
17	GB97.1-85	Plain washer 10	4	
18	GB889-86	Locking nut M10	2	
19	GB93-87	Locking washer 8	6	
20	24PMF.03.016	Gearbox cover	1	
21	24PMF.03.014A	Transmission shaft Assembly	1	
22	GB6170-86	Nut M8	4	
23	GB5783-86	Bolt M8x50	2	
24	Q-IAKY01-91	Worm reduction gear WPR40:30:1 II	1	
25	24PMF.03.111	Belt ptlley	1	

## Wood Chipper Assembly

NO.	Part NO.	Name & Specifications	Quantity	Remark
26	24PMF.03.105	Belt ptlley	1	
27	GB T1171-96	Belt A991	1	
28	GB 889-86	Locking nut M14x1.5	13	
29	GB97.1-85	Plain washer 14	26	
30	GB5782-86	Blot M14x135	13	

# Charging and Bracket Assembly



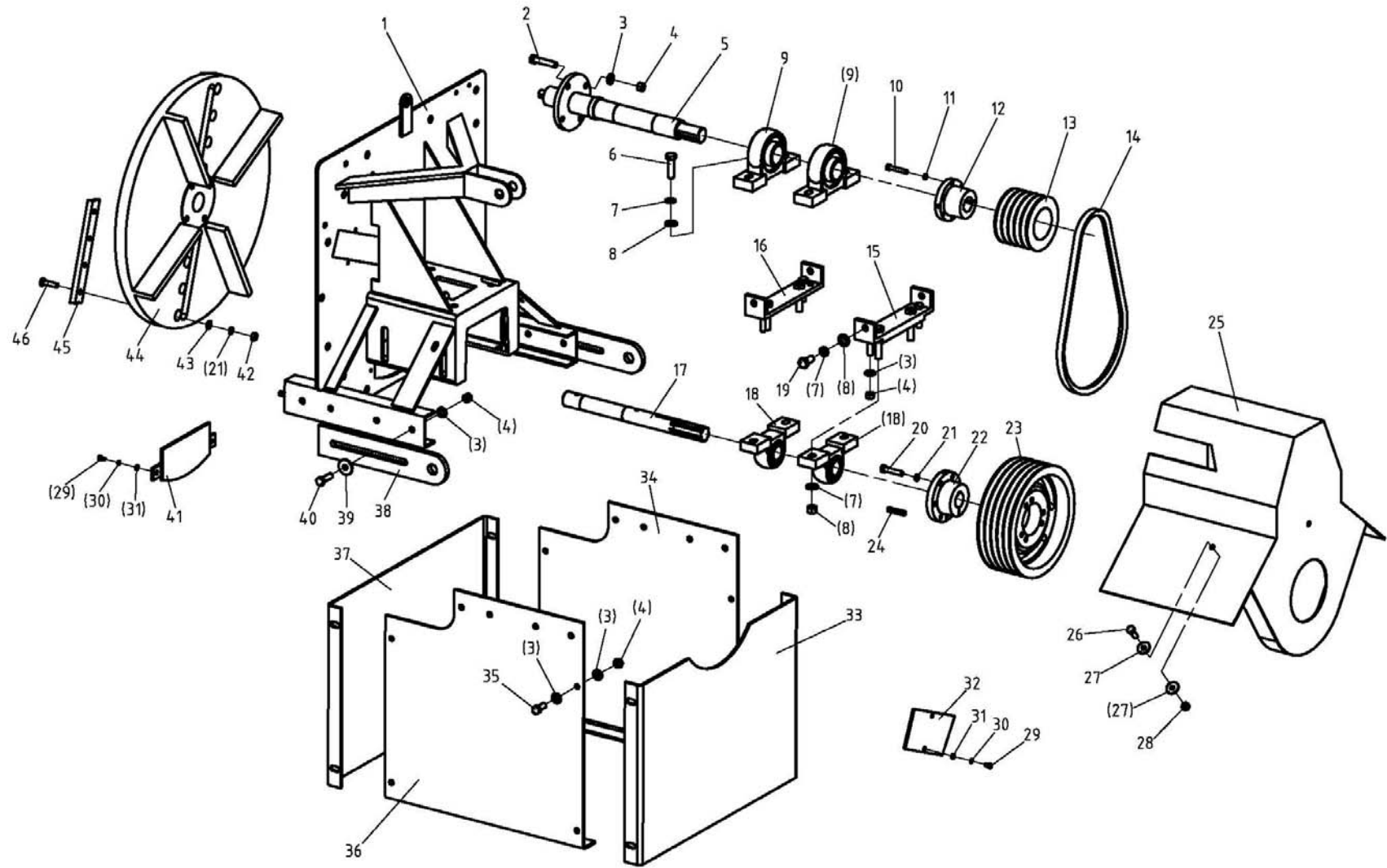
## Charging and Bracket Assembly

NO.	Part NO.	Name & Specifications	Quantity	Remark
1	24PMF.01.014	Protective cover weldment	1	
2	24PMF.01.012	Discharge pipe	1	
3	24PMF.01.013	Tightening handle	1	
4	ISO-10642	Screw M10x35	3	
5	24PMF.01.101	Chipper blade	1	
6	GB 889-86	Locking nut M10	17	
7	24PMF.01.015	Little arround plate	1	
8	GB97.1-85	Plain washer 8	4	
9	GB93-87	Spring washer 8	4	
10	GB5783-86	Bolt M8x16	4	
11	24PMF.01.016	Protective cover weldment	1	
12	GB5783-86	Bolt M10x30	4	
13	GB7810-87	Bearing L204	2	
14	GB97.1-85	Plain washer 10	14	
15	24PMF.01.019	Roller weldment	1	
16	24PMF.01.011	Supporting plate weldment	1	
17	24PMF.01.132	Pin shaft	2	
18	24PMF.01.131	Connecting plate	2	
19	24PMF.01.024	Brake handle	1	
20	24PMF.01.026	Baffle board	1	
21	24PMF.01.018	Charging weldment	1	
22	24PMF.01.117	Connecting plate	4	
23	24PMF.01.102	Spring lug	2	
24	GB5783-86	Blot M10x35	2	
25	24PMF.01.103	Tension spring	2	

## Charging and Bracket Assembly

NO.	Part NO.	Name & Specifications	Quantity	Remark
26	GB5783-86	Blot M6x12	2	
27	GB93-87	Spring washer 6	2	
28	GB97.1-85	Plain washer 6	2	
29	24PMF.01.017	Cover board	1	

# Drive System Assembly



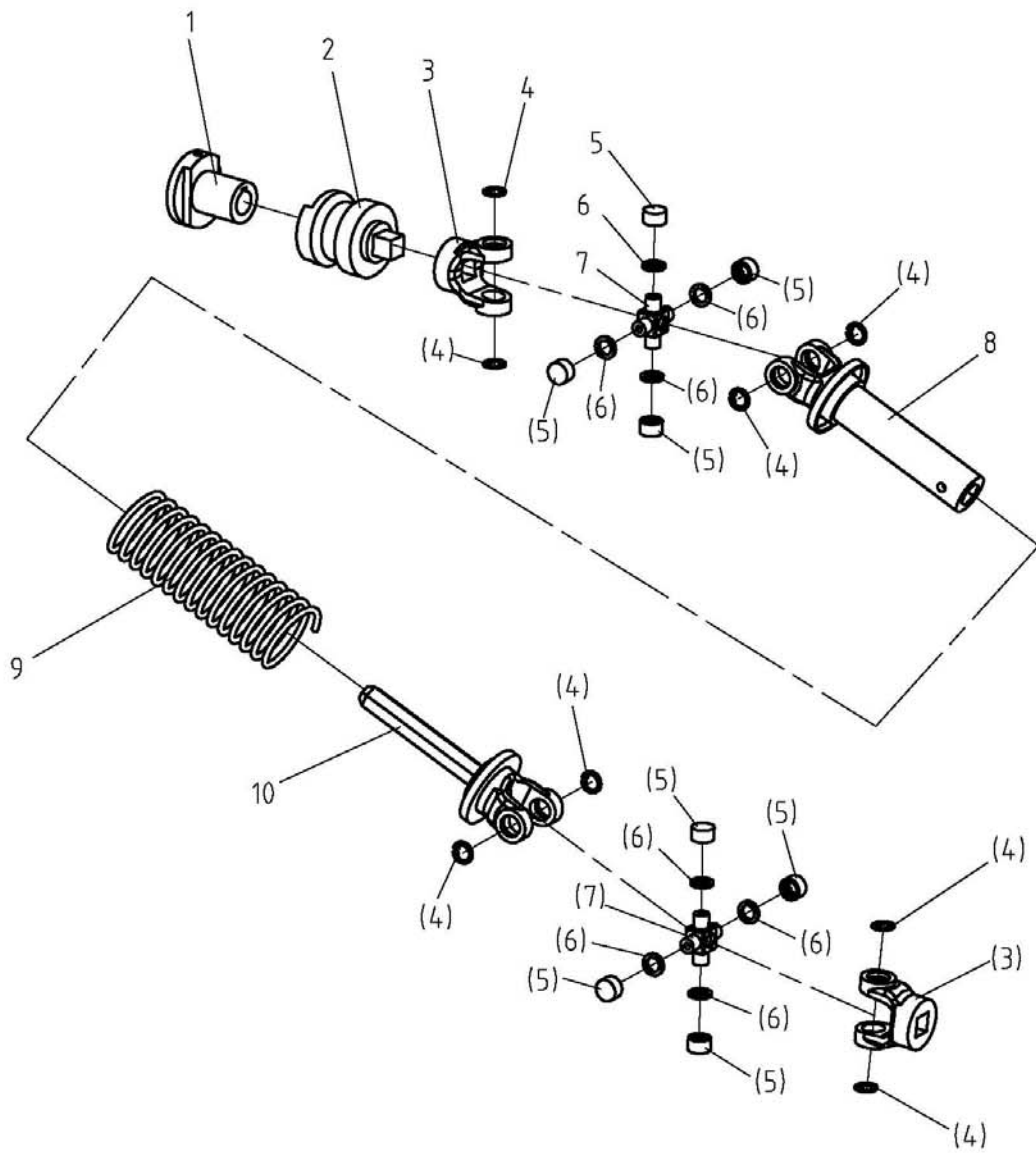
## Drive System Assembly

NO.	Part NO.	Name & Specifications	Quantity	Remark
1	24PMF.02.012	Support	1	
2	GB5783-86	Blot M12x60	4	
3	GB97.1-85	Plain washer 12	24	
4	GB889-86	Locking nut M12	16	
5	24PMF.02.011	Supporting shaft for flywheel	1	
6	GB 5786-86	Blot M14x1.5x50	4	
7	GB93-87	Locking washer 14	12	
8	GB97.1-85	Plain washer 14	12	
9	24PMF.02.138	Bearing Z209	2	
10	GB5783-86	Blot M8x50	6	
11	GB93-87	Locking washer 8	6	
12	24PMF.02.105	Small belt pulley hub	1	
13	24PMF.02.104	Small belt pulley	1	
14	GB 1171-74	Belt	1	
15	24PMF.02.016	Bearing seat shim	1	
16	24PMF.02.017	Bearing seat shim	1	
17	24PMF.02.101A	Drive shaft	1	
18	24PMF.02.139	Bearing Z207	2	
19	GB 5786-86	Blot M14x1.5x30	4	
20	GB5783-86	Blot M10x50	6	
21	GB93-87	Locking washer 10	14	
22	24PMF.02.102	Big belt pulley hub	1	
23	24PMF.02.103	Big belt pulley	1	
24	GB 1096-79	Key C10x50	1	
25	24PMF.02.013	Protective cover for belt pulley	1	

## Drive System Assembly

NO.	Part NO.	Name & Specifications	Quantity	Remark
26	GB5783-86	Blot M10x30	2	
27	GB96-85	Wsher 10	4	
28	GB889-86	Locking nut M10	2	
29	GB5783-86	Blot M6x12	2	
30	GB93-87	Spring washer 6	4	
31	GB97.1-85	Plain washer 6	4	
32	24PMF.02.118	Cover board	1	
33	24PMF.02.112	Front supporting board	1	
34	24PMF.02.110	Left supporting board	1	
35	GB5783-86	Blot M12x30	8	
36	24PMF.02.109	Right supporting board	1	
37	24PMF.02.111	Rear supporting board	1	
38	24PMF.02.113	Lifting board	2	
39	GB96-85	Wsher 12	4	
40	GB5783-86	Blot M12x40	4	
41	24PMF.01.017	Cover board	1	
42	GB6170-86	Nut M10	8	
43	GB97.1-85	Plain washer 10	8	
44	24PMF.02.106	Flywheel	1	
45	24PMF.02.107	Chipper bed blade	2	
46	GB 2673-86	Screw M10x35	8	

# Transmission Shaft Assembly



## Transmission Shaft Assembly

NO.	Part NO.	Name & Specifications	Quantity	Remark
1	24PMF.03.107	Clutch inner claw	1	
2	24PMF.03.108	Clutch outer claw	1	
3	24PMF.03.134A	Driver knob	2	
4	GB893.1-86	Circlip 15	8	
5		Needle bearing	8	
6		Dustproof washer	8	
7	24PMF.03.135A	Cross	2	
8	24PMF.03.017A	Outer drive shaft	1	
9	24PMF.03.109-1	Spring for drive shaft	1	
10	24PMF.03.018A	inner drive shaft	1	